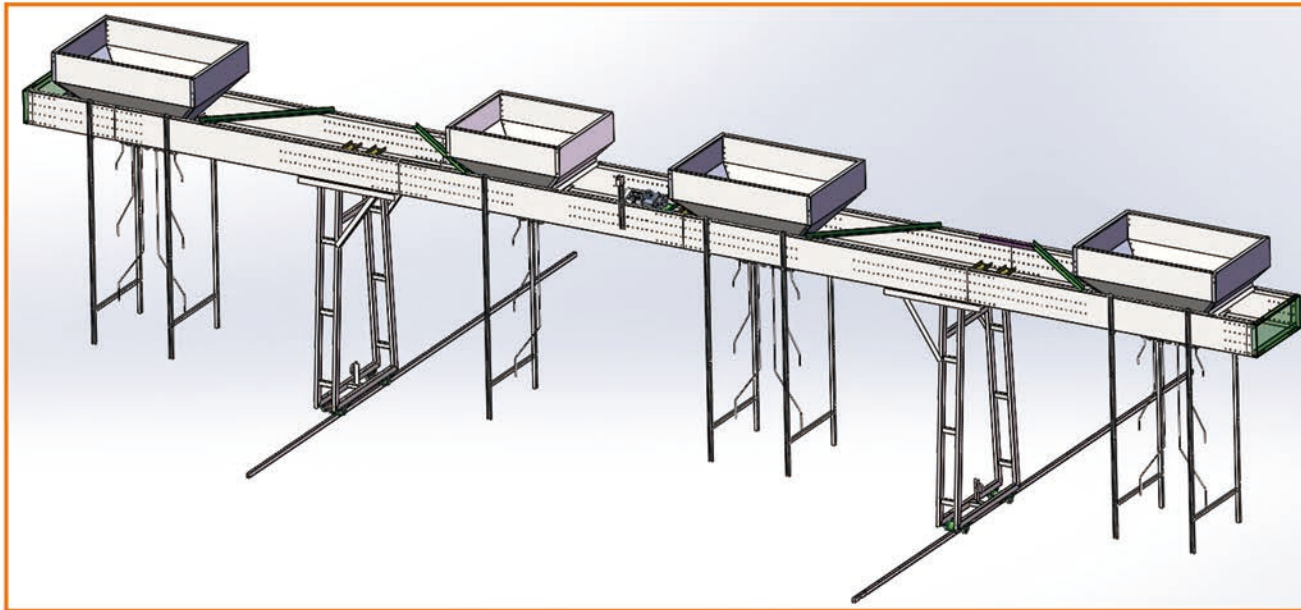


## FEEDING SYSTEM

### 喂料设备

#### 提供播种式、行车式、链式三种供料方式

Three options for feed supply: gantry sowing feeding mode, hopper feeding cart mode and Auto chain feeding mode.

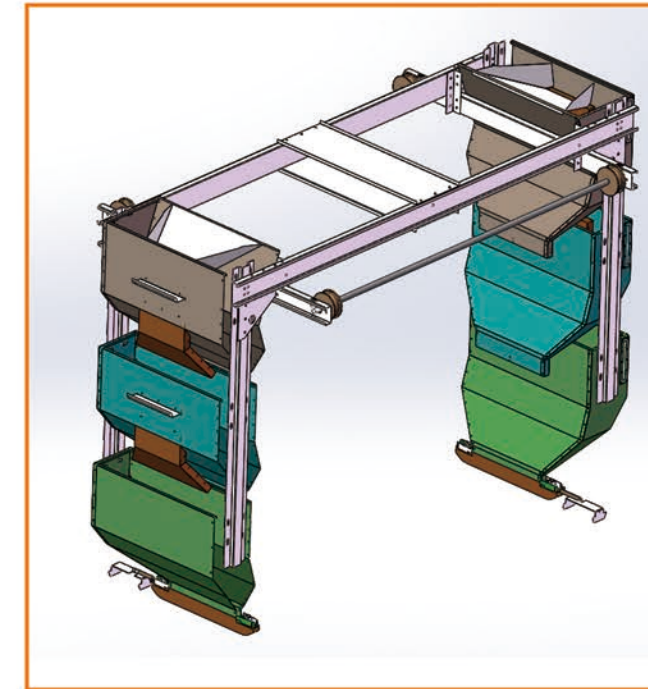


#### 播种式优点:

- ④ 结构简单高效，性价比高，适合新建鸡舍。
- ④ 播种机式打料机，热镀锌钣金框架，防腐耐用，设计精密，稳定可靠。
- ④ 匀料器可伸缩式专利设计，克服因地面不平带来的落料不均，打料均匀。
- ④ 播种机轮防压脚、防脱轨电器设计，安全护航养殖。
- ④ 播种机采用集成电路控制，可手动、定时自动、遥控打料，向人工智能自动化养殖更进一步。

#### Advantages for gantry sowing type feed supply:

- ④ Simple and efficient structure, cost-effective, more suitable for newly built poultry house.
- ④ Sowing feed machine is made of hot-dip galvanized metal plate with advantages like corrosion resistance, precise design and stability.
- ④ Even feed machine with a patent for flexible ability solves the difficulty in dropping feed unevenly because of the rough ground.
- ④ The special design of sowing feed machine wheels can prevent pressing foot and derailling to achieve security of breeding.
- ④ Manual operation and timed automatic operation are realized by adopting integrated circuit control, which takes a step to AI-based automation of breeding industry.

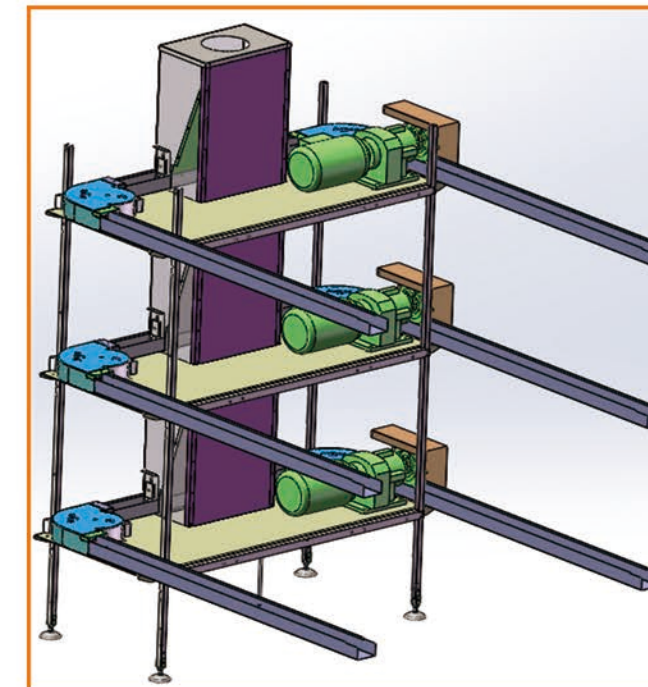


#### 行车式优点:

- ④ 结构紧凑，下料顺畅、精准，占用空间小，有利于灯光排布，并且对鸡舍地面平整度依赖较小，适合新建鸡舍、改造舍，特别是梁高较低的改造舍尤为突出。

#### Advantages for hopper feed cart supply:

- ④ Compact structure, smooth and accurate feed drop. It takes up smaller space which will not conflict with lights arrangement. Its application requires less for poultry house floor flatness and this type feed supply is more suitable for newly built and rebuilt poultry house, especially for poultry house with lower beam depth.



#### 链式优点:

- ④ 链条结构简单，加工简单。
- ④ 转角位置驱动，扭矩更大。
- ④ 转角结构优化，新转角结构更简单、更高，可防堵料、防溢料、防存料。

#### Advantages for chain feeding:

- ④ Simple chain structure with easy processing.
- ④ Corners drive with great torque.
- ④ The new structured corner with high performance can avoid blocking, spilling and depositing feed.